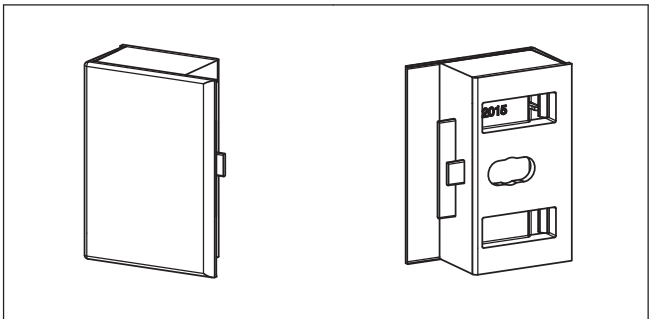
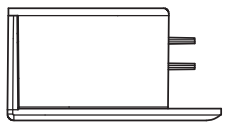


# MLEND

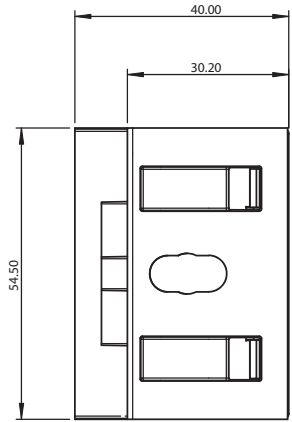
## END CAP



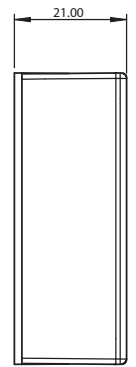
PERSPECTIVE VIEWS



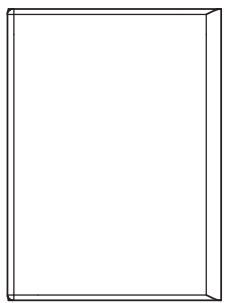
TOP VIEW



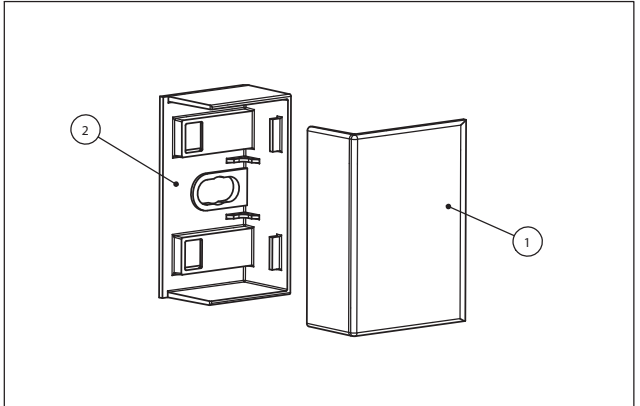
REAR VIEW



LEFT SIDE VIEW



FRONT VIEW



EXPLODED VIEW

ITEM NO.	PART NUMBER	QTY.
1	ML_P20075_A_Front Cover	1
2	ML_P20065_A_Back Plate	1



The information contained in this drawing is the sole property of Power & Data Corporation. Any reproduction in part or as a whole without the written permission of Power & Data Corporation is prohibited. Copyright © Power & Data Corporation All rights reserved.

ALL DIMENSIONS IN MILLIMETRES  
DO NOT SCALE

